

Features

- Ethernet to 1 universe of DMX input or output
- Configuration via Web Browser or optional software
- Optional configuration from ZerOS consoles
- Grounded DMX outputs
- Dimensions: 60mm (H) x 130mm (W) x 40mm (D)
- Weight: 0.26Kg / 0.57lb



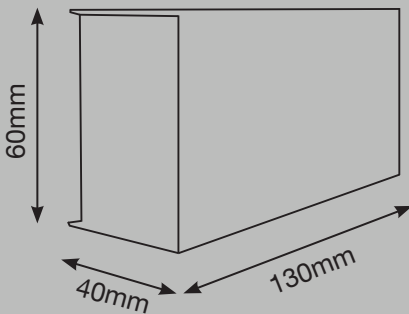
Overview

The 1 Universe Ethernet Box from Cooper Controls provides a single universe of DMX input or output to your Ethernet DMX distribution system. A universe of Art-Net DMX data can be output from the 1 Universe Ethernet Box to your lighting system.

The 1 Universe Ethernet Box is ideal for distributing DMX outputs wherever you need them, with its compact form factor and universal worldwide power supply. The unit is configured through an internal web server or via optional control software.

When combined with a ZerOS console, the 1 Universe Ethernet Box supports on-board configuration from the console, for a truly integrated system.

Whatever your lighting system, the 1 Universe Ethernet Box lets you place your DMX outputs wherever you need them.



Quality you can trust

- ✓ 3 years warranty
- ✓ On-line training videos
- ✓ Free software upgrades

40 Years of Lighting Passion

- ✓ Real people to help you
- ✓ Downloadable web resources
- ✓ ISO 9001:2008 Certified
- ✓ Multilingual training team
- ✓ Support forum

Voltage



- | | | | |
|------------|-------------------------------------|-------------------|--------------------------|
| 100V | <input type="checkbox"/> | 220 - 240V NON CE | <input type="checkbox"/> |
| 110 - 127V | <input type="checkbox"/> | 277V | <input type="checkbox"/> |
| 230V CE | <input checked="" type="checkbox"/> | 347V | <input type="checkbox"/> |

Standards



This product conforms to one or more of the above standards. Please contact your local Cooper Controls representative for further information.