

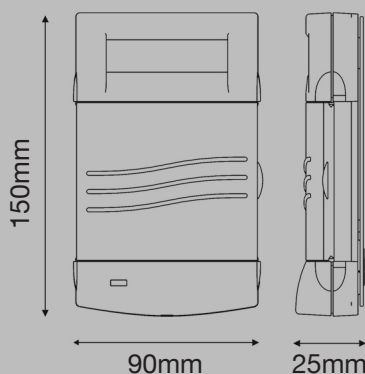
### Features

#### Master Controller

- Backlit LCD display and buttons
- Full dimmer remote control – all functions available
- Intelligent system channel mapping, controls multiple dimmers simultaneously
- Tough aesthetically pleasing plastic case
- Built-in timeclock functions
- Lockable editing functions using security PIN number
- Networking by standard Cat 5 cable

#### Master Controller

Dimensions: 150mm (H) x 90mm (w) x 25mm (D)  
Weight: 1.1Kg



### Overview

The Chilli Master Controller can be used with any combination of Chilli dimmers, and provides full remote control and system monitoring.

By duplicating the dimmer controls, the Chilli Master Controller can be used to set all of the functions of any dimmer in the network, as well as record and playback memories.

Using intelligent network mapping the Chilli Master Controller can be used to access system channel numbers directly, rather than working on a dimmer by dimmer basis. This means that channels can be quickly and logically addressed in large systems.

The integration of timeclock functions allows for events to be played back at specific times of the day.

The Chilli Master Controller can be used as a handheld or wall mounted (single UK 47mm back box) unit, and comes in a tough plastic case.

#### Quality you can trust

- ✓ 3 years warranty
- ✓ On-line training videos
- ✓ Free software upgrades

#### 40 Years of Lighting Passion

- ✓ Real people to help you
- ✓ Downloadable web resources
- ✓ ISO 9001:2008 Certified
- ✓ Multilingual training team
- ✓ Support forum

#### Voltage



- |            |                                     |                   |                          |
|------------|-------------------------------------|-------------------|--------------------------|
| 100V       | <input type="checkbox"/>            | 220 - 240V NON CE | <input type="checkbox"/> |
| 110 - 127V | <input type="checkbox"/>            | 277V              | <input type="checkbox"/> |
| 230V CE    | <input checked="" type="checkbox"/> | 347V              | <input type="checkbox"/> |

#### Standards



This product conforms to one or more of the above standards.  
Please contact your local Cooper Controls representative for further information.