

SL PAR 150 ZOOM



The SL PAR 150 ZOOM is a die-cast aluminum LED Par can that utilizes nine homogenized RGBW LEDs to produce over 3200 lumens of output. The manual zoom provides a beam angle range from 15° to 70° and the split yoke bracket allows for easy hanging or floor mounting.

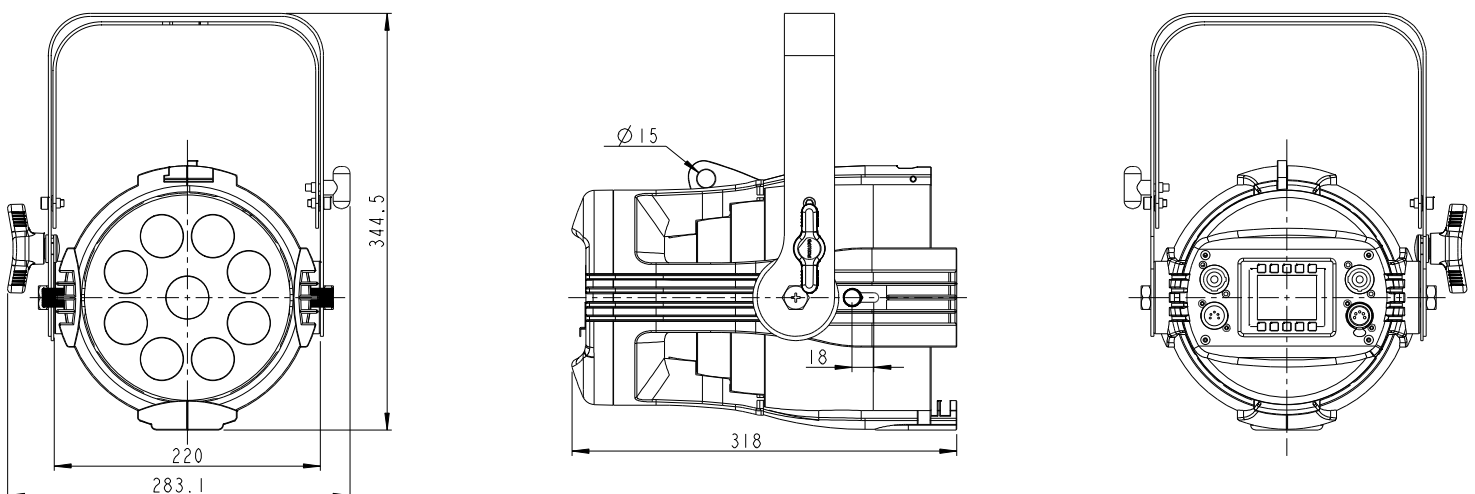
The rugged construction, internal power supply, and ease of use make the SL PAR 150 ZOOM a natural replacement for conventional PAR fixtures. Whether illuminating stages, buildings, clubs, landscapes or other entertainment and architectural elements, the SL PAR 150 ZOOM provides designers with the highest output and best color uniformity.

Simple daisy chaining of power and data, along with a split yoke bracket permit quick setup in any orientation. Configuration is also made easy through use of the standard Showline LCD menu system.

Features :

- Rugged Construction
- High Quality LED's for exceptional output and color
- Harmonize Color Calibration
- Built-in color presets, effects and chases
- HSIC (Hue - Saturation - Intensity - Color temperature) operation mode
- 8 or 16-bit DMX-512A operation for smooth stepless fades
- On-board LCD Menu System for addressing and setup
- Remote configuration available via RDM
- PowerCon in and thru power connections
- 5-pin DMX-512A(RDM) in and thru connections

Drawing Diagram :



Technical Specifications :

Version:

SL PAR 150 ZOOM RGBW, IP20

Optics:

15 - 70 degree beam angle
9 high power 15w RGBW LEDs

Controls:

DMX-512A(RDM)
Local LCD control
Master/slave

Modes:

HSIC
8 bit RGBW
16 bit RGBW

Features:

Color Gel filter preset
Chase - Strobe + Duration Effect Engine
LED & Tungsten Curves selection
Harmonize Color Calibration

Physical:

90 - 240VAC, 150W
318mm x 284mm x 345mm, 8Kg
13"x12"x14", 17.6 lbs
CE, ETL, cTick

Luminance:

3200 lumens



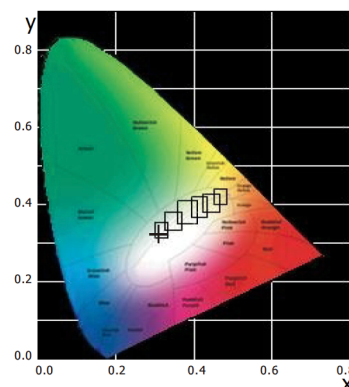
Ordering Information :

SLPAR150

SL PAR 150 ZOOM RGBW IP20

Harmonize Color Calibration Technology

At the heart of all Showline products is Philips Harmonize Calibration technology. Harmonize is a proprietary, advanced LED color matching system, consisting of 3 correction modules: RGB, RGBW and Cool White/Warm White. Every Showline fixture undergoes rigorous testing to provide you with consistent control of color and intensity as well as output of the highest quality.



Philips Group 2013. All rights reserved.

The Company reserves the right to make any variation in design or construction to the equipment described. E&OE. Philips Entertainment delivers fully integrated lighting solutions; from simple lamps to complete systems designed with the specific needs of the entertainment and specialized display lighting markets.

www.vari-lite.com