

Selecon

ACCLAIM PC



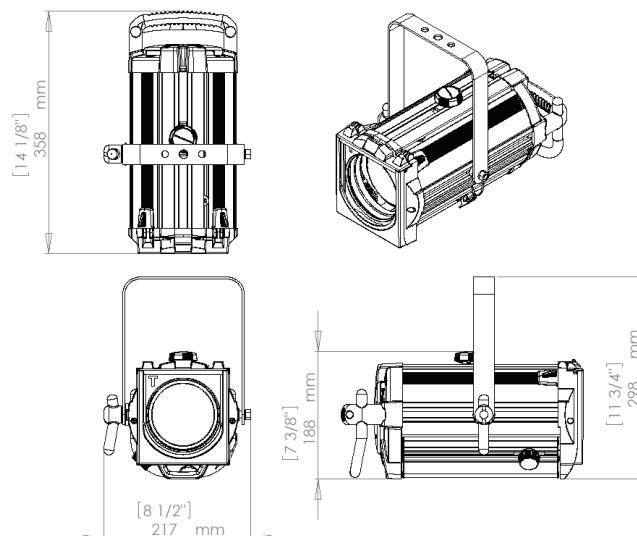
The Acclaim PC is a 300W / 575W / 650W general purpose PC (4¼" diameter lens) for theatre and display lighting which produces a well-defined beam of light, with a crisper edge than a Fresnel that is easily blended with adjacent beams to provide even illumination.

Selecon

ACCLAIM PC

FEATURES

- Up to 50% more light output than comparative PCs
- Light texturing on the rear of lens obscures filament imaging retaining the characteristic PC beam clarity
- Improved filter life through increased airflow
- Cooler focus operation due to the use of engineering plastics on front (color frame mount) and rear
- Adjustable yoke balance point
- 'Swing-down' side door for easy access to lamp or for cleaning
- Lamp life is enhanced through judder-free focus action of the captive lamp/reflector assembly which moves on Teflon-coated bearings
- Heat-insulated rear grab-handle which doubles as handy storage for the 3ft cable length.
- New barndoor design, cool to focus maintaining settings through unique hinge tension design
- Fast and safe focusing using the large rear grab handle and heat protected focus knob and filter holder
- Permanently attached integrated safety cable ensures that this important safety requirement is always on hand
- Integral micro-switch provides automatic disconnection of power to the fixture when opening to relamp, preventing a student or technician inserting a lamp into an electrically live fixture



Selecon

ACCLAIM PC

SOURCE				
Type	FKW	Ushio WX	Ushio WC	FRK
Wattage	300W	575W	575W	650W
Average life (hrs)	200	300	1,500	200
OPTICAL PERFORMANCE				
Output lumens	7,800			16,900
BEAM				
Beam angle	4°-64°			
POWER				
Operating voltage	100-240VAC			
Wattage (max)	300	575	575	600
PHYSICALS				
IP Rating	IP20			
Finish	Black			
Construction	Machined aluminum, sheet metal, and molded engineering grade plastic components			
ENVIRONMENT		°C	°F	
Ambient temperature	0-40		32-104	
DIMENSIONS		mm	in	
H x W x L	298 x 217 x 326		11.75 x 8.5 x 12 7/8	
WEIGHT		kg	lb	
Net weight	3.51		7.75	
WARRANTY & APPROBATIONS				
Warranty	3 years			
Approvals / Listings	ETL / cETL listed to UL Standard 1573			

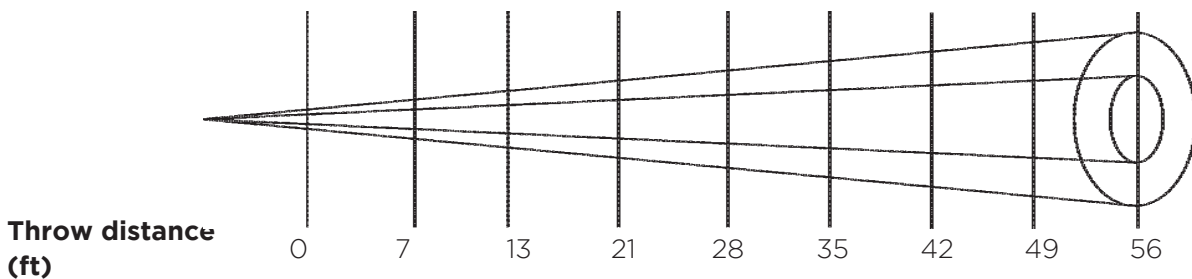
Selecon

ACCLAIM PC

PHOTOMETRIC DATA

BEAM DIAMETER (ft)

4°	0.0	0.5	0.9	1.5	2.0	2.4	2.9	3.4	3.9
64°	0.0	8.7	16.2	26.2	35.0	43.7	52.5	61.2	70.0



LIGHT OUTPUT (footcandles*)

4°	peak	945	274	105	59	38			
64°	flat	110	32						

Tests conducted using a standard FRK, 650W, 120V lamp.

*for lux, multiply footcandles by 10.7

PRODUCT NAME

Acclaim 4 Inch Fresnel, black

ORDER CODE

12ACPCUS

Barndoor, 4 way, black

20BDMF

ACCESSORIES

Lens safety mesh

15ACSM

Spare color frame

20CFMF

Spare US theatrical C-clamp

USCLAMP

For connector options please specify the following suffixes when ordering:

- GR NEMA 5-15P Grounded Edison
- GP 20A Stage Pin Plug
- GTL NEMA L5-20P Twist-Lock

© 2018 Signify Holding. All rights reserved.

All trademarks are owned by Signify Holding or their respective owners. The information provided herein is subject to change, without notice. Signify does not give any representation or warranty as to the accuracy or completeness of the information included herein and shall not be liable for any action in reliance thereon. The information presented in this document is not intended as any commercial offer and does not form part of any quotation or contract, unless otherwise agreed by Signify. Data subject to change.

Ref: 12ACPCUS-100-00